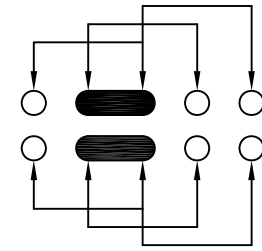
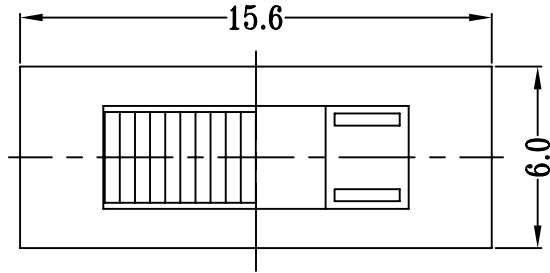
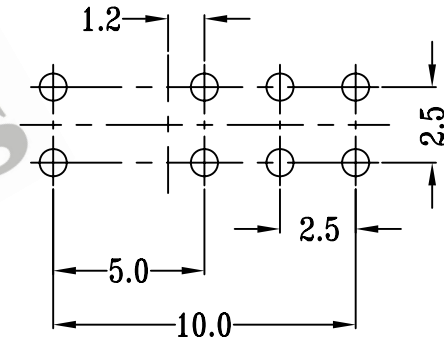
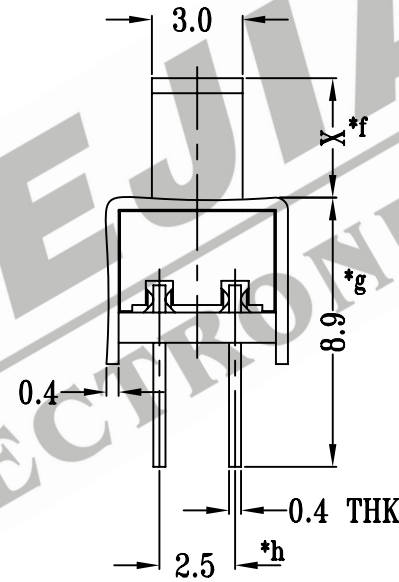
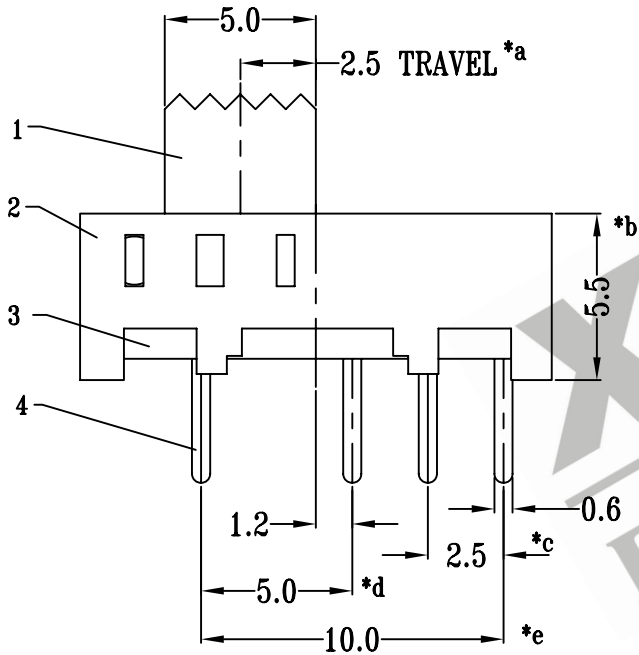


CAD FILE:



SCHEMATIC (SHORTING)



P.C.B LAYOUT

8					TOLERANCE UNLESS SPECIFIED	SHENZHEN XIEJIA ELECTRONICS CO.,LTD.				
7										
6					WITHIN: 1.5±0.1mm OVER : 1.5±0.2mm	ISSUE	DATE	DESCRIPTIONS		APPD.
5	CONTACT CLIP	PBS	1	Ag CLAD						
4	TERMINAL	BRASS STRIP	3	Ag PLATED OVER Ni PLATED	TITLE : VERTICAL SLIDE SWITCH		UNIT : MM	DRWG NO.: XJ-DR-SS23E02-00		
3	BASE	PHENOLIC RESIN	1	BLACK						
2	COVER	POM	1	BLACK	MODEL: SS-23E02		SCALE: 4:1	DWN.		
1	KNOB	POM	1	BLACK/GREY				CHK'D		
NO.	PART NAME	MATERIAL	Q'TY	FINISHING	ALL MATERIALS MUST BE COMPLIANT TO ROHS			APPD.		2002-9-26